



Deca



2024 COLLECTION

 Italian Design

Why Deca kitchen appliances ?

Deca kitchen appliances are crafted with passion for detail to deliver performance and precision.

Functionality and durability inspired on professional use and expertise to enrich people's lives.

In this, we find our sense for design and materials seamlessly integrated in contemporary interior and we're driven to create appliances that are really useful, as well as solutions that improve the health and wellbeing of the people who use them.



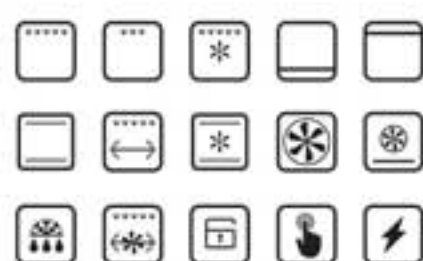
Deca





OVEN

With an oven from Deca you will have a joy in the kitchen. our ovens offer a wide range of functions that allows you to use the different heaters, the fan and the grill function in different combinations to make the best of every meal you are preparing.



Built-in Electronic Oven 60 cm

Features:

- . 5 shelf position
- . Easy to clean cavity
- . 3 layers glass door
- . Removable inner glass
- . Convection system
- . Oven ventilation system
- . Cooling system
- . Large viewing window
- . 10 heating methods
- . Defrosting mode
- . Telescopic shelf
- . Child lock

Senta EF410

Technical information:

- . Digital display
- . Touch control panel
- . Capacity:64 Liters
- . Energy rating: A+
- Total connected load:
2.87kW 220-240V/50-60Hz

accessories:

- . Grilling rack
- . Flat tray
- . Deep tray
- . Meat prob
- . Rotisserie



Built-in Electronic Oven 60 cm

Features:

- . 5 shelf position
- . Easy to clean cavity
- . 3 layers glass door
- . Removable inner glass
- . Convection system
- . Oven ventilation system
- . Cooling system
- . Large viewing window
- . 10 heating methods
- . Defrosting mode
- . Telescopic shelf
- . Child lock

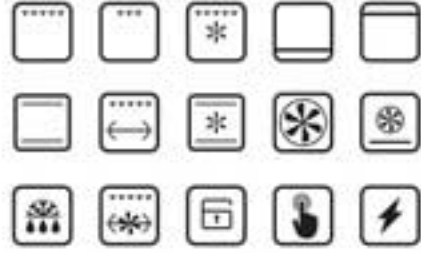
Metz EF412

Technical information:

- . Digital display
- . Mechanical Knob Control
- . Capacity:64 Liters
- . Energy rating: A+
- Total connected load:
2.87kW 220-240V/50-60Hz

accessories:

- . Grilling rack
- . Flat tray
- . Deep tray
- . Meat prob
- . Rotisserie



Built-in Electronic Oven 60 cm

Features:

- . pyrolytic function
- . Air fry function
- . 5 shelf position
- . Easy to clean cavity
- . 3 layers glass door
- . Soft closing door
- . Large viewing window
- . Removable inner glass
- . Convection system
- . Oven ventilation system
- . Cooling system
- . 2 telescopic rails
- . 18 heating modes
- . Defrosting mode
- . Child lock

EOP 667 GS

Technical information:

- . Premium TFT display
- . Touch control panel
- . Capacity:75 Liters
- . Energy rating: A+
- . Total connected load☒
220-240V/50-60Hz

accessories:

- . Grilling rack
- . Flat tray
- . Meat prob
- . Chicken Rotisserie



Built-in Electronic Oven 60 cm

Features:

- . 5 shelf position
- . Easy to clean cavity
- . 3 layers glass door
- . Soft closing door
- . Large viewing window
- . Removable inner glass
- . Convection system
- . Oven ventilation system
- . Cooling system
- . 2 telescopic rails
- . 13 heating modes
- . Defrosting mode
- . Child lock

EO 665 GS

Technical information:

- . Digital display
- . A-Touch control
- . Capacity:75 Liters
- . Energy rating: A+
- . Total connected load☒
220-240V/50-60Hz

accessories:

- . Grilling rack
- . Flat tray
- . Meat prob
- . Chicken Rotisserie

Easy to clean



Enamel quality and type are exceptionally important for the oven operation and its cleaning. The oven cavity in all Deca ovens are coated with hi-tech material specially for easy cleaning to maximize your comfort. The brilliance and non-porosity of this exclusive enamel are long lasting properties, allowing an easy, quick and ecologic cleaning of the oven cavity and trays.



Built-in Electronic Oven 60 cm

Features:

- . 5 shelf position
- . Easy to clean cavity
- . 3 layers glass door
- . Removable inner glass
- . Convection system
- . Oven ventilation system
- . Cooling system
- . Large viewing window
- . 12 heating methods
- . Defrosting mode
- . Telescopic shelf
- . Child lock

Verona EF217S

Technical information:

- . Digital display
 - . Mechanical knob control
 - . Capacity:75 Liters
 - . Energy rating: A+
- Total connected load:
2.87kW 220-240V/50-60Hz

accessories:

- . Grilling rack
- . Flat tray
- . Meat prob
- . Rotisserie



Built-in Electronic Oven 60 cm

Features:

- . 5 shelf position
- . Easy to clean cavity
- . 3 layers glass door
- . Removable inner glass
- . Convection system
- . Oven ventilation system
- . Cooling system
- . Large viewing window
- . 12 heating methods
- . Defrosting mode
- . Telescopic shelf
- . Child lock

Verona EF70 S

Technical information:

- . Digital display
 - . Mechanical knob control
 - . Capacity:75 Liters
 - . Energy rating: A+
- Total connected load:
2.87kW 220-240V/50-60Hz

accessories:

- . Grilling rack
- . Flat tray
- . Meat prob
- . Rotisserie

Meat Probe



By controlling the temperature inside the meat, the Meat Probe manages the entire process and even activates the alarm when the time is right.



Built-in Microwave Oven 45 cm

Features:

- . Digital display
- . Touch control panel
- . Child lock
- . Stainless steel cavity

Functions:

- Microwave
- Grilling
- Convection
- Microwave + convection
- Grilling + convection
- Defrosting

Torin MF330



Technical information:

- . Capacity: 35 Liters
- . Power: 220-240V/50Hz
- . Output (microwave): 1000W
- . Output (grill): 1500W



Built-in Microwave Oven 45 cm

Features:

- . Digital display
- . A-Touch control panel
- . 4 shelf position
- . Easy to clean cavity
- . 3 layers glass door
- . Soft closing door
- . Automatic cut off
- . Stainless steel cavity
- . Child lock
- . Functions:
- Grilling mode
- Back fan mode
- Fan assisted grilling
- Defrosting
- Grilling with back fan
- Defrosting with microwave
- Microwave mode
- Warming plate mode
- Dough providing mode

EOM 465 GS



Technical information:

- . Capacity: 38 Liters
- . Power: 220-240V/50Hz
- . Output (microwave): 1000W
- . Output (grill): 1500W

Telescopic Guides



Smooth running telescopic guides provide a perfect overview of the process on all levels. This means safer and easier when handling heavy and hot plates. Deca ovens feature fully pulled out guides on 2 levels.



Gas Hob

Deca gas hobs are manufactured with the highest quality stainless steel, cast irons and durable components and design caring details. Engineering combined with art always focuses on customer needs.

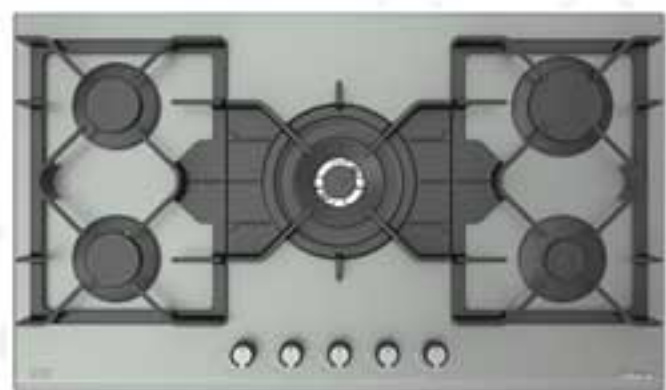
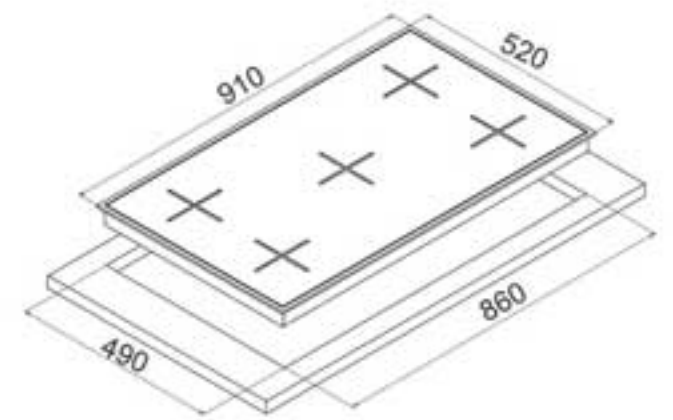


- . Burners
- 1 × Wok burner: 4 KW
- 1 × Rapid burner: 3 KW
- 2 × Semi-rapid burner: 1.75 KW
- 1 × Auxiliary burner: 1 KW

92 cm Gas hob Black glass

- . Sabaf burners and taps
- . Schott tempered glass
- . Orkli gas safety
- . Quick auto-ignition
- . Flame failure device
- . Triple crown burner 4KW
- . Brushed Inox burner plate
- . Matt black cast iron grid

EGS9150

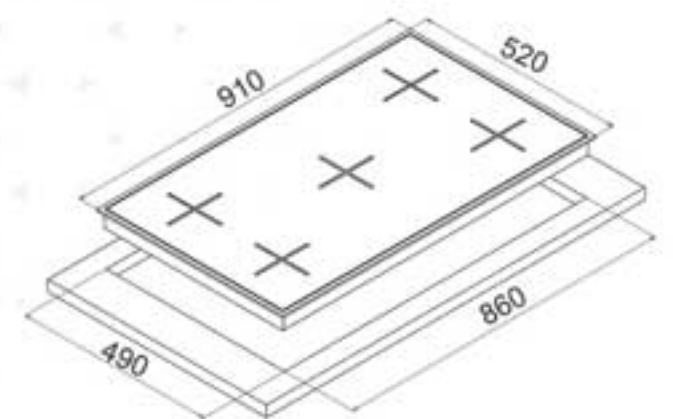


- . Burners
- 1 × Wok burner: 4 KW
- 1 × Rapid burner: 3 KW
- 2 × Semi-rapid burner: 1.75 KW
- 1 × Auxiliary burner: 1 KW

92 cm Gas hob Titanium glass

- . Sabaf burners and taps
- . Schott tempered glass
- . Orkli gas safety
- . Quick auto-ignition
- . Flame failure device
- . Triple crown burner 4KW
- . Brushed Inox burner plate
- . Matt black cast iron grid

EGS1950





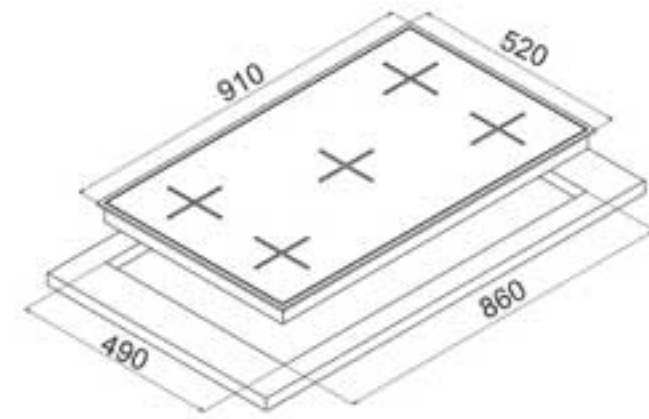
. Burners

- 1 × Wok burner: 4 KW
- 1 × Rapid burner: 3 KW
- 2 × Semi-rapid burner: 1.75 KW
- 1 × Auxiliary burner: 1 KW

92 cm Gas hob
Stainless Steel

- . Sabaf burners and taps
- . Orkli gas safety
- . Quick auto-ignition
- . Flame failure device
- . Triple crown burner 4KW
- . Brushed Inox burner plate
- . Matt black cast iron grid

EGS 1991



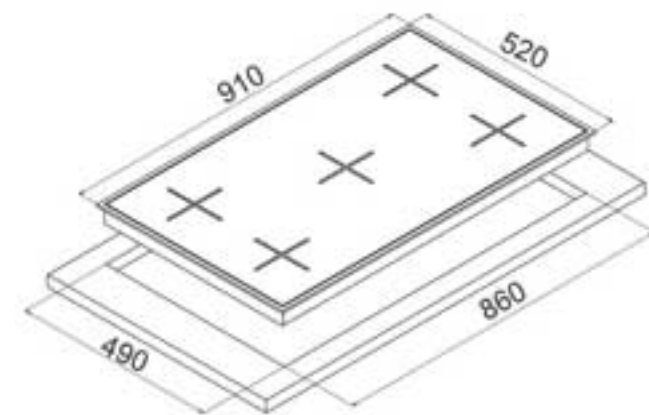
. Burners

- 1 × Wok burner: 4 KW
- 1 × Rapid burner: 3 KW
- 2 × Semi-rapid burner: 1.75 KW
- 1 × Auxiliary burner: 1 KW

92 cm Gas hob
Stainless Steel

- . Sabaf burners and taps
- . Orkli gas safety
- . Quick auto-ignition
- . Flame failure device
- . Triple crown burner 4KW
- . Brushed Inox burner plate
- . Matt black cast iron grid

EGS 1992



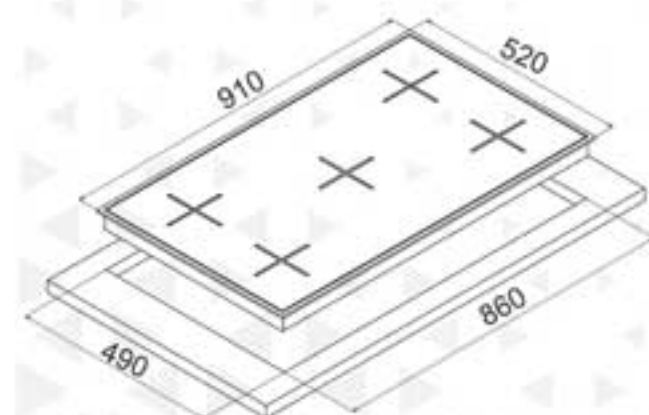
. Burners

- 1 × Wok burner: 4 KW
- 1 × Rapid burner: 3 KW
- 2 × Semi-rapid burner: 1.75 KW
- 1 × Auxiliary burner: 1 KW

92 cm Gas hob
Stainless Steel

- . Sabaf burners and taps
- . Orkli gas safety
- . Quick auto-ignition
- . Flame failure device
- . Triple crown burner 4KW
- . Brushed Inox burner plate
- . Matt black cast iron grid

EGS 1993



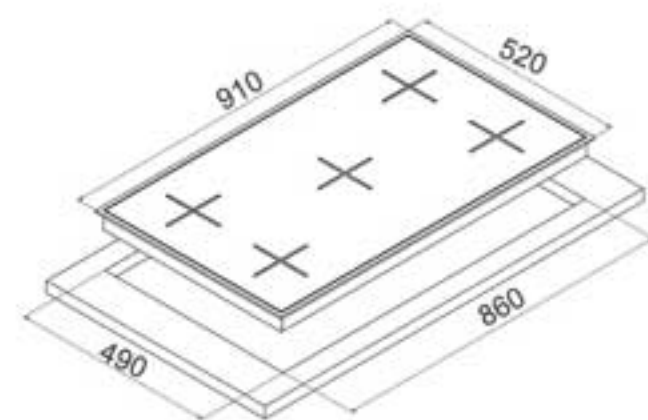


- . Burners
- 1 × Wok burner: 4 KW
- 1 × Rapid burner: 3 KW
- 2 × Semi-rapid burner: 1.75 KW
- 1 × Auxiliary burner: 1 KW

**92 cm Gas hob
Black glass**

- . Sabaf burners and taps
- . Schott tempered glass
- . Quick auto-ignition
- . Flame failure device
- . Triple crown burner 4KW
- . Brushed Inox burner plate
- . Matt black cast iron grid

EGS1952 

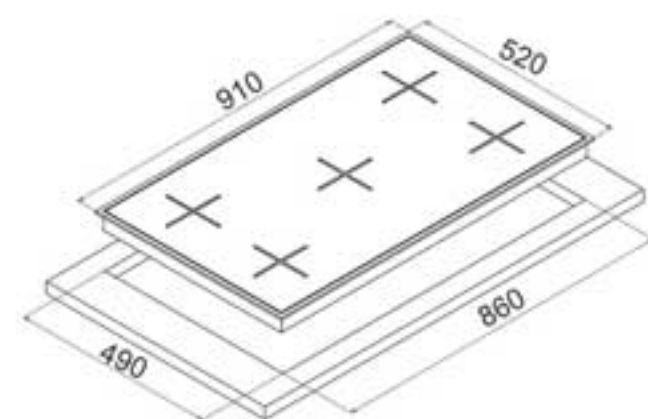


- . Burners
- 1 × Wok burner: 4 KW
- 1 × Rapid burner: 3 KW
- 2 × Semi-rapid burner: 1.75 KW
- 1 × Auxiliary burner: 1 KW

**92 cm Gas hob
Dark Stainless Steel**

- . Sabaf burners and taps
- . Orkli gas safety
- . Quick auto-ignition
- . Flame failure device
- . Triple crown burner 4KW
- . Brushed Inox burner plate
- . Matt black cast iron grid

ESS1952DN 



The triple ring burners



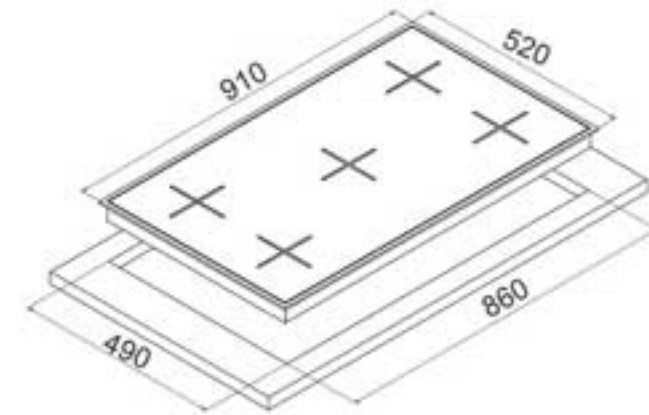
The triple ring burners have been designed to improve heat distribution so as to obtain uniform cooking of food rather than concentrating heat at the outer area of the pan as occurs with other burners.



92 cm Gas hob Stainless Steel

ESS1952BR 

- . Sabaf burners and taps
- . Orkli gas safety
- . Quick auto-ignition
- . Flame failure device
- . Triple crown burner 4KW
- . Brushed Inox burner plate
- . Matt black cast iron grid



. Burners

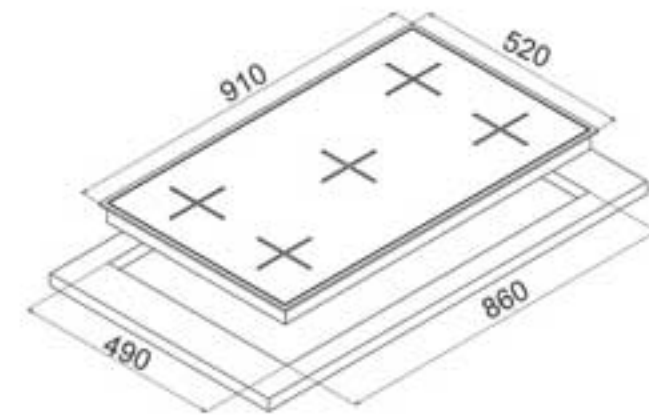
- 1 × Wok burner: 4 KW
- 1 × Rapid burner: 3 KW
- 2 × Semi-rapid burner: 1.75 KW
- 1 × Auxiliary burner: 1 KW



92 cm Gas hob Stainless Steel/ Microlinen

ESS1952LN 

- . Sabaf burners and taps
- . Orkli gas safety
- . Quick auto-ignition
- . Flame failure device
- . Triple crown burner 4KW
- . Brushed Inox burner plate
- . Matt black cast iron grid



. Burners

- 1 × Wok burner: 4 KW
- 1 × Rapid burner: 3 KW
- 2 × Semi-rapid burner: 1.75 KW
- 1 × Auxiliary burner: 1 KW

Design of the pan supports



The new design of the pan supports make them even more secure and stable. They are also easy to remove to allow quick cleaning of the hob.



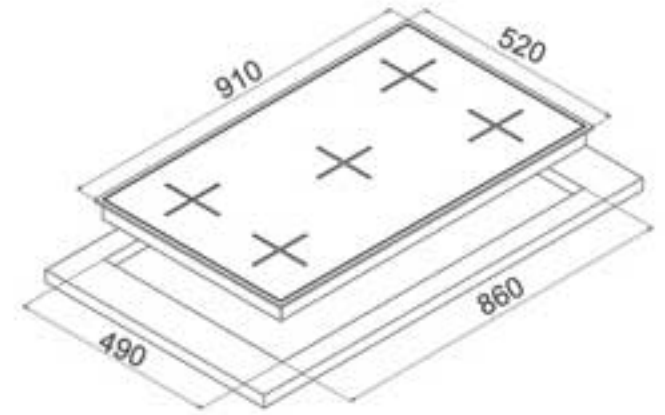
. Burners

- 1 × Wok burner: 4 KW
- 1 × Rapid burner: 3 KW
- 2 × Semi-rapid burner: 1.75 KW
- 1 × Auxiliary burner: 1 KW

**92 cm Gas hob
Stainless Steel**

- . Sabaf burners and taps
- . Orkli gas safety
- . Quick auto-ignition
- . Flame failure device
- . Triple crown burner 4KW
- . Brushed Inox burner plate
- . Matt black cast iron grid

ESS1958 



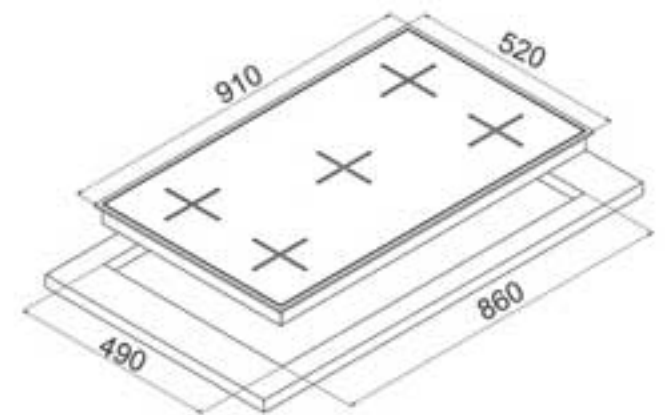
. Burners

- 1 × Wok burner: 4 KW
- 1 × Rapid burner: 3 KW
- 2 × Semi-rapid burner: 1.75 KW
- 1 × Auxiliary burner: 1 KW

**92 cm Gas hob
Stainless Steel**

- . Sabaf burners and taps
- . Orkli gas safety
- . Quick auto-ignition
- . Flame failure device
- . Triple crown burner 4KW
- . Brushed Inox burner plate
- . Matt black cast iron grid

ESS1956 



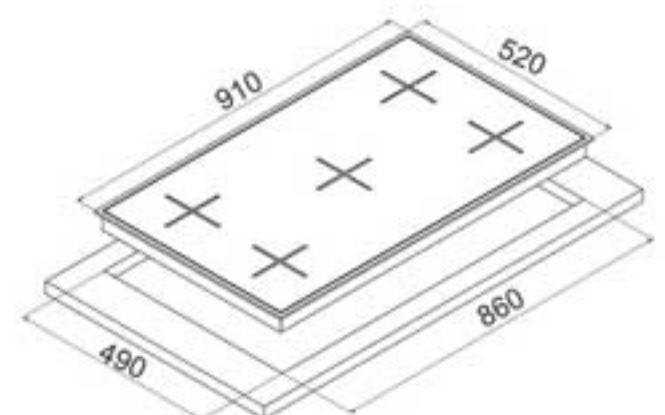
. Burners

- 1 × Wok burner: 4 KW
- 1 × Rapid burner: 3 KW
- 2 × Semi-rapid burner: 1.75 KW
- 1 × Auxiliary burner: 1 KW

**92 cm Gas hob
Stainless Steel**

- . Sabaf burners and taps
- . Orkli gas safety
- . Quick auto-ignition
- . Flame failure device
- . Triple crown burner 4KW
- . Brushed Inox burner plate
- . Matt black cast iron grid

ESS1957 



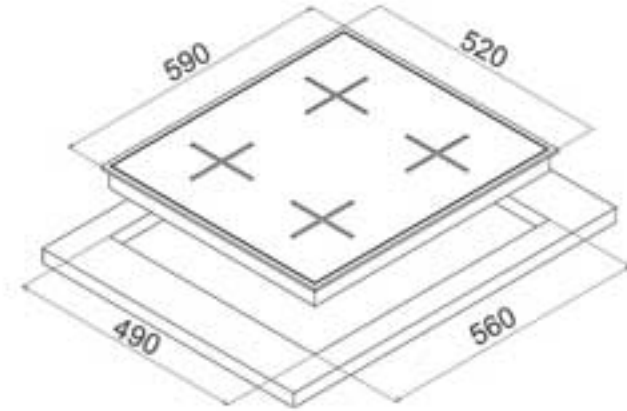


- . Burners
- 1 × Rapid burner: 3 KW
- 2 × Semi-rapid burner: 1.75 KW
- 1 × Auxiliary burner: 1 KW

60 cm Gas hob Stainless Steel

- . Sabaf burners and taps
- . Orkli gas safety
- . Quick auto-ignition
- . Flame failure device
- . Triple crown burner 4KW
- . Brushed Inox burner plate
- . Matt black cast iron grid

ESS6060

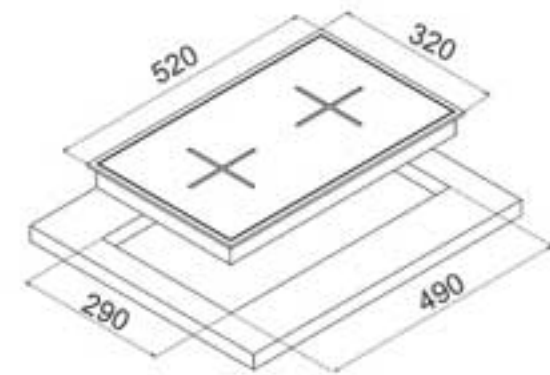


- . Burners
- 1 × Auxiliary burner: 1 KW
- 1 × Rapid burner: 3 KW

30 cm Gas hob Stainless steel

- . Sabaf burners and taps
- . Orkli gas safety
- . Quick auto-ignition
- . Flame failure device
- . Brushed Inox burner plate
- . Matt black cast iron grid

ESS3035



Up to date cooking technologies



SPECIAL APPEAL Deca hobs incorporate up to date cooking technologies that meet the expectations of today's consumers. Assembled quality materials, innovative designs, and safety measures in mind, we give our hobs that special appeal for your modern kitchen settings.

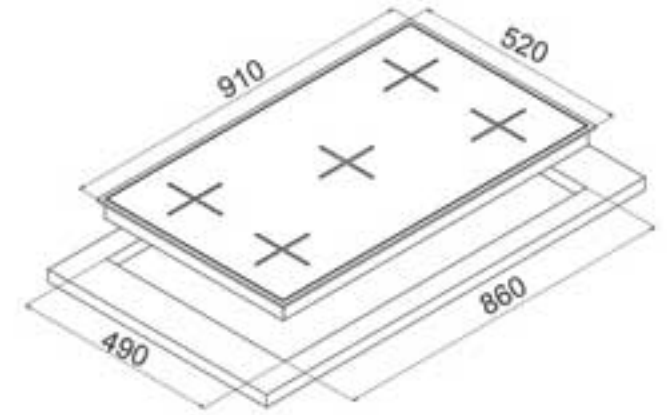


- . Burners
- 1 × Wok burner: 4 KW
- 1 × Rapid burner: 3 KW
- 2 × Semi-rapid burner: 1.75 KW
- 1 × Auxiliary burner: 1 KW

**92 cm Gas hob
Titanium Glass**

- . Sabaf burners and taps
- . Schott tempered glass
- . Orkli gas safety
- . Quick auto-ignition
- . Flame failure device
- . Triple crown burner 4KW
- . Brushed Inox burner plate
- . Matt black cast iron grid

EGS1954 

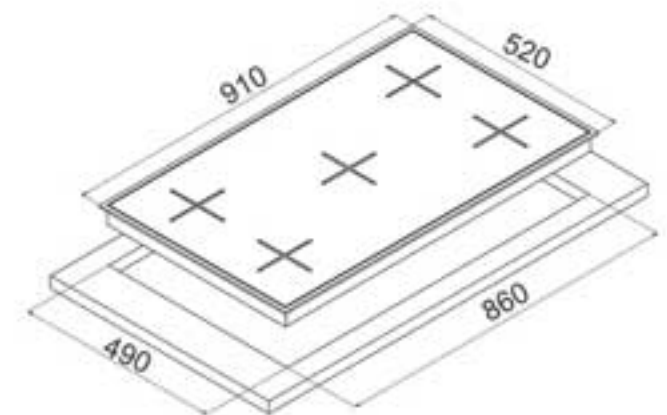


- . Burners
- 1 × Wok burner: 4 KW
- 1 × Rapid burner: 3 KW
- 2 × Semi-rapid burner: 1.75 KW
- 1 × Auxiliary burner: 1 KW

**92 cm Gas hob
Black glass**

- . Sabaf burners and taps
- . Schott tempered glass
- . Orkli gas safety
- . Quick auto-ignition
- . Flame failure device
- . Triple crown burner 4KW
- . Brushed Inox burner plate
- . Matt black cast iron grid

EGS1951 



Whenever you buy a Deca gas hob



you not only obtain the high-quality and rigorous design for your kitchen, but also assure absolute safety. In case of any accident, the flame failure safety device detects and cuts the gas automatically without allowing gas leakage.

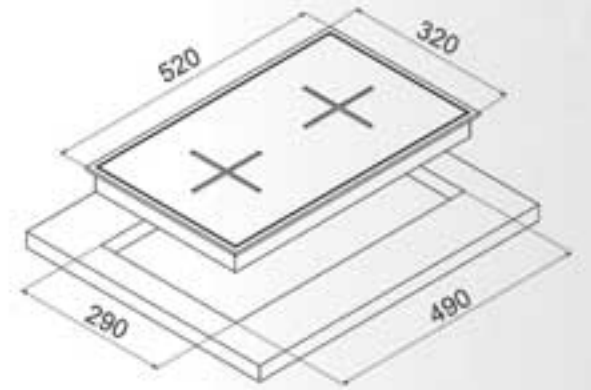




30 cm induction hob Black Glass

- . 2 Induction cooking zones
- . 9 Power Levels
- . Schott tempered glass
- . Pot detection system
- . Touch control
- . Safety lock
- . Automatic safety cut-out
- . Energy-Saving

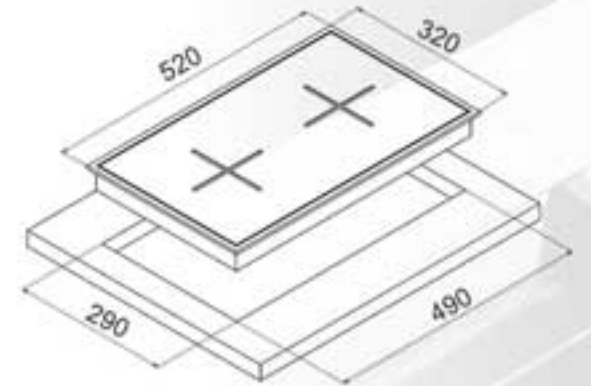
HI1355



30 cm Electric hob Black Glass

- . 2 Electrical plates
- . 9 Power Levels
- . Schott tempered glass
- . Touch control
- . Child Safety lock
- . Energy-Saving

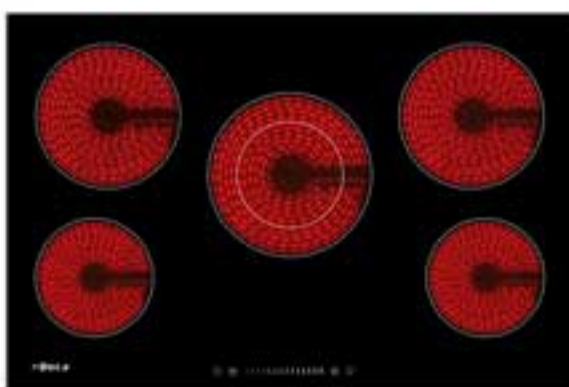
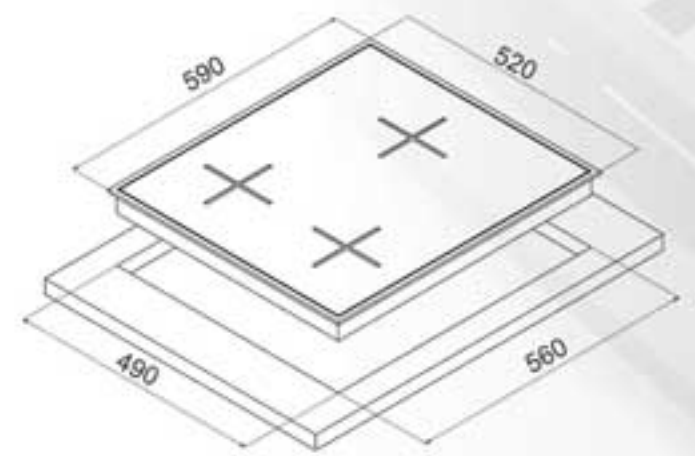
HC1330



60 cm Electric hob Black Glass

- . 3 Electric cooking zones
- . 9 Power Levels
- . Schott tempered glass
- . Touch control
- . Child Safety lock
- . Energy-Saving

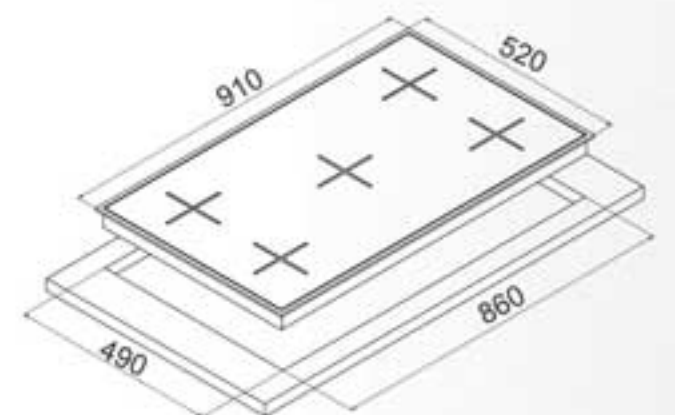
HC1360



90 cm Electric hob Black Glass

- . 5 Electric cooking zones
- . 9 Power Levels
- . Schott tempered glass
- . Touch control
- . Child Safety lock
- . Energy-Saving

HI 1990





SCHOTT®



Hood

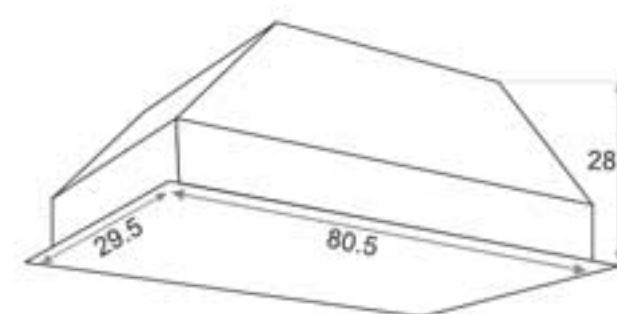
Open kitchens are very popular, but they need powerful and quiet cooker hoods. Deca offers concealed, and wall-mounted cooker hoods that suit any contemporary kitchen. Your new Deca cooker hood will surely be a centerpiece in your new kitchen.



Built-in hood
Stainless steel

- Wide: 80 cm
- Digital display
- Touch-less control
- Extraction: 850 h/m³
- 4 speed settings
- Noise level: 56 db
- Filter type: 3 layers aluminum
- Charcoal filter
- Lighting: 2 LED light
- Gas and smoke detection sensor
- Remote control

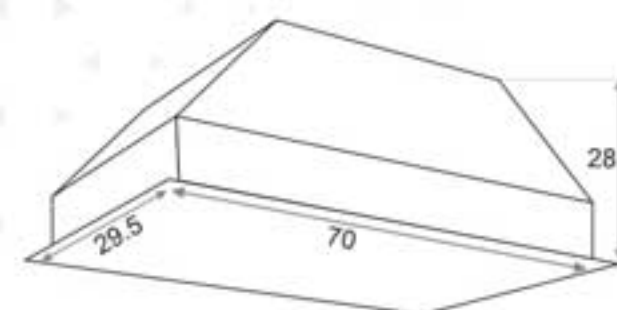
Scala 



Built-in hood
Black glass

- Wide: 70 cm
- Touch control panel
- Extraction: 850 h/m³
- 4 speed settings
- Noise level: 56 db
- Filter type: 3 layers aluminum
- Lighting: 2 LED light
- Remote control

Verto CH7029 

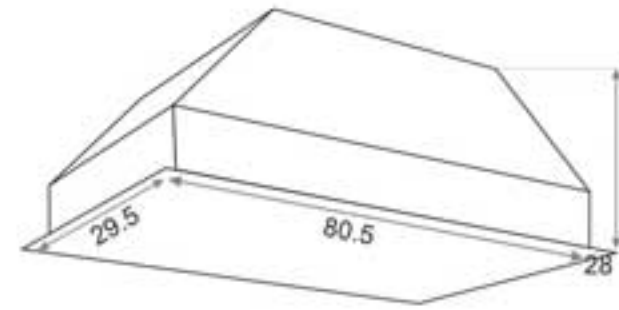




Built-in hood Black glass - Steel

- Wide: 80 cm
- Touch control panel
- Extraction: 850 h/m³
- 4 speed settings
- Noise level: 56 db
- Filter type: 3 layers aluminum
- Lighting: 2 LED light
- Gas and smoke detection sensor
- Remote control

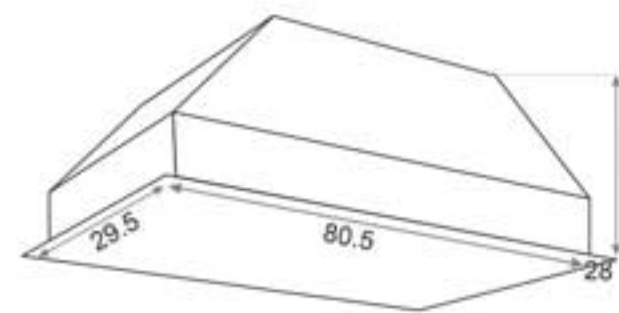
Morgan 8087



Built-in hood Black glass

- Wide: 80 cm
- Touch control
- Extraction: 760 h/m³
- 3 speed settings
- Noise level: 56 db
- Filter type: 3 layers aluminum
- Lighting: 2 LED light
- Gas and smoke detection sensor
- Remote control

CH150



Concealed and Wall-mounted



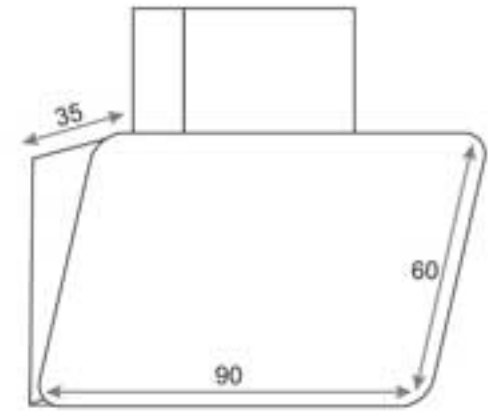
Some kitchens will simply look better when the range hood is hidden and integrated behind the kitchen furniture. Our concealed range allows for stylish integration without compromising with the performance.

Built-in hood
Wall mount hood
Black glass



- Wide: 90 cm
- Touch control panel
- Extraction: 1000 h/m3
- 5 speed settings
- Noise level: 56 db
- Filter type: 5 layers aluminum
- Lighting: 2 LED light
- Remote control

Alise 5490 

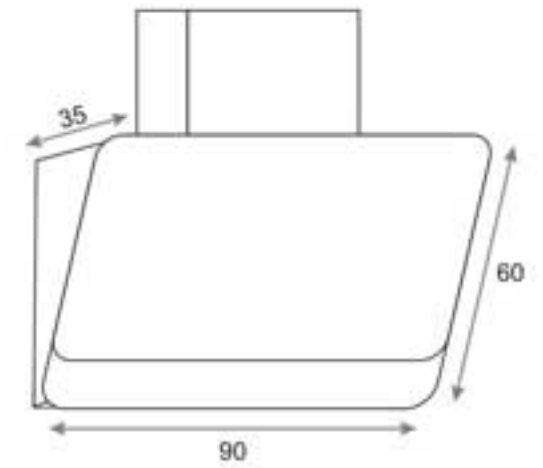


Built-in hood
Wall mount hood
Black glass



- Wide: 90 cm
- Touch control panel
- Extraction: 1000 h/m3
- 5 speed settings
- Noise level: 56 db
- Filter type: 3 layers aluminum
- Lighting: 2 LED light
- Remote control

Galaxy 3590 



Hidden and Integrated



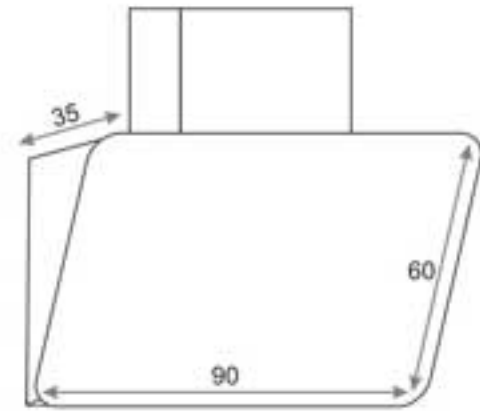
Deca offers concealed, and wall-mounted cooker hoods that suit any contemporary kitchen. Your new Deca cooker hood will surely be a centerpiece in your new kitchen.



Built-in hood
Wall mount hood
Black glass

- Wide: 90 cm
- Touch control panel
- Extraction: 1000 h/m3
- 5 speed settings
- Noise level: 56 db
- Filter type: 5 layers aluminum
- Charcoal filter
- Lighting: 2 LED light
- Remote control

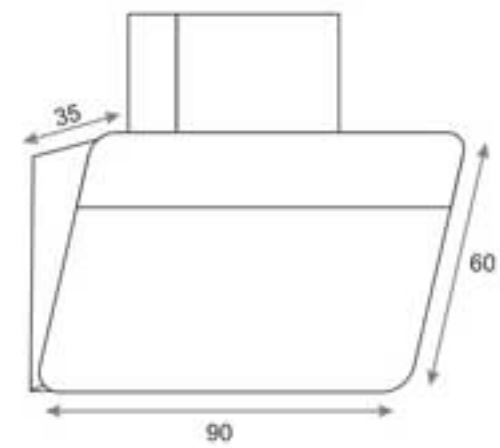
Murale 9550 



Built-in hood
Wall mount hood
Black glass

- Wide: 90 cm
- Touch control panel
- Extraction: 1000 h/m3
- 5 speed settings
- Noise level: 56 db
- Filter type: 5 layers aluminum
- Charcoal filter
- Lighting: 2 LED light
- Remote control

Marco 9039 



High Quality



Strong, silent and good looking kitchen hoods carefully constructed with high quality sustainable materials and brilliant finish in every detail.



Classic Line

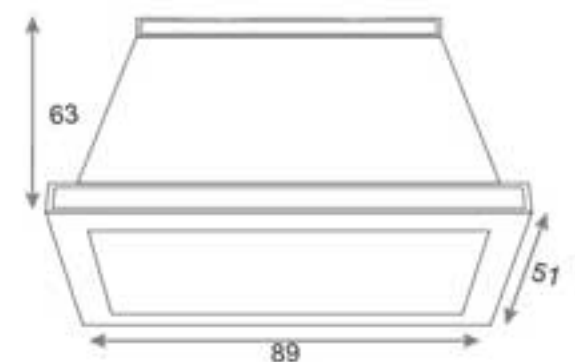
Unique designs chosen for you that will blend with the harmony of your home. Your kitchen and your appliances will act like an orchestral integrity with unique matches.



Wall mount hood
Black glass

- Wide: 90 cm
- Push button control panel
- Extraction: 850 h/m³
- 4 speed settings
- Noise level: 56 db
- Filter type: Aluminum
- Lighting: LED light

CHE990 

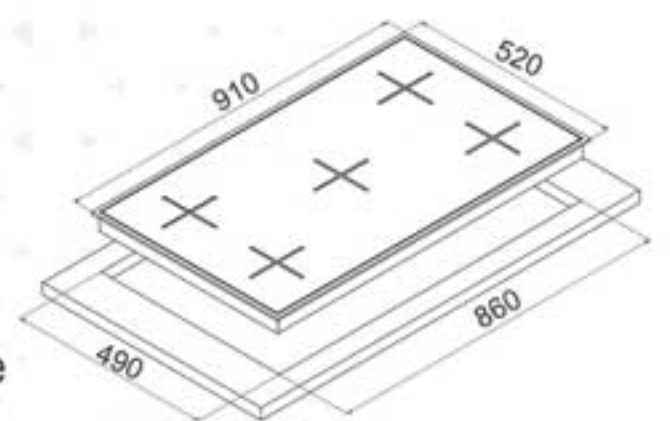


92 cm Gas hob
Black glass

- . Burners
- 1 × Wok burner: 4 KW
 - 1 × Rapid burner: 3 KW
 - 2 × Semi-rapid burner: 1.75 KW
 - 1 × Auxiliary burner: 1 KW

- . Sabaf burners and taps
- . Schott tempered glass
- . Orkli gas safety
- . Quick auto-ignition
- . Flame failure device
- . Triple crown burner 4KW
- . Brushed Inox burner plate
- . Matt black cast iron grid

EGS1959 





Built-in Electronic Oven 60 cm

Features:

- . 5 shelf position
- . Easy to clean cavity
- . 3 layers glass door
- . Soft Close door
- . Removable inner glass
- . Convection system
- . Oven ventilation system
- . Cooling system
- . Large viewing window
- . 9 heating methods
- . Defrosting mode
- . Child lock
- . Telescopic shelf

F6017

Technical information:

- . Display Type: Mid Digital Timer
- . Mechanical Knob control
- . Capacity:64 Liters
- . Cavity Color: Grey
- . Total connected load
- . 2.87kW 220-240V/50-60Hz

accessories:

- . Grilling rack
- . Flat tray
- . Deep tray
- . Rotisserie



Built-in Electronic Oven 60 cm

Features:

- . 5 shelf position
- . Easy to clean cavity
- . 3 layers glass door
- . Soft Close door
- . Removable inner glass
- . Convection system
- . Oven ventilation system
- . Cooling system
- . Large viewing window
- . 9 heating methods
- . Defrosting mode
- . Child lock
- . Telescopic shelf

F6018

Technical information:

- . Display Type: Mid Digital Timer
- . Mechanical Knob control
- . Capacity:64 Liters
- . Cavity Color: Grey
- . Total connected load
- . 2.87kW 220-240V/50-60Hz

accessories:

- . Grilling rack
- . Flat tray
- . Deep tray
- . Rotisserie



Believe Your Dream

Innovation is part of Deca's DNA and the constant pursuit of innovation extends across product design and development, marketing efforts, product technologies and production processes. Deca believes that real design innovation can be best achieved through cross-field design cooperation with creative talents and designers who do not necessarily belong to the kitchen appliance industry.





Function Auto Menu Time/Weight

Time/Weight Cook/Timer Start/Power/Reset

Deca

Deca

The Best In Reliability & Style

